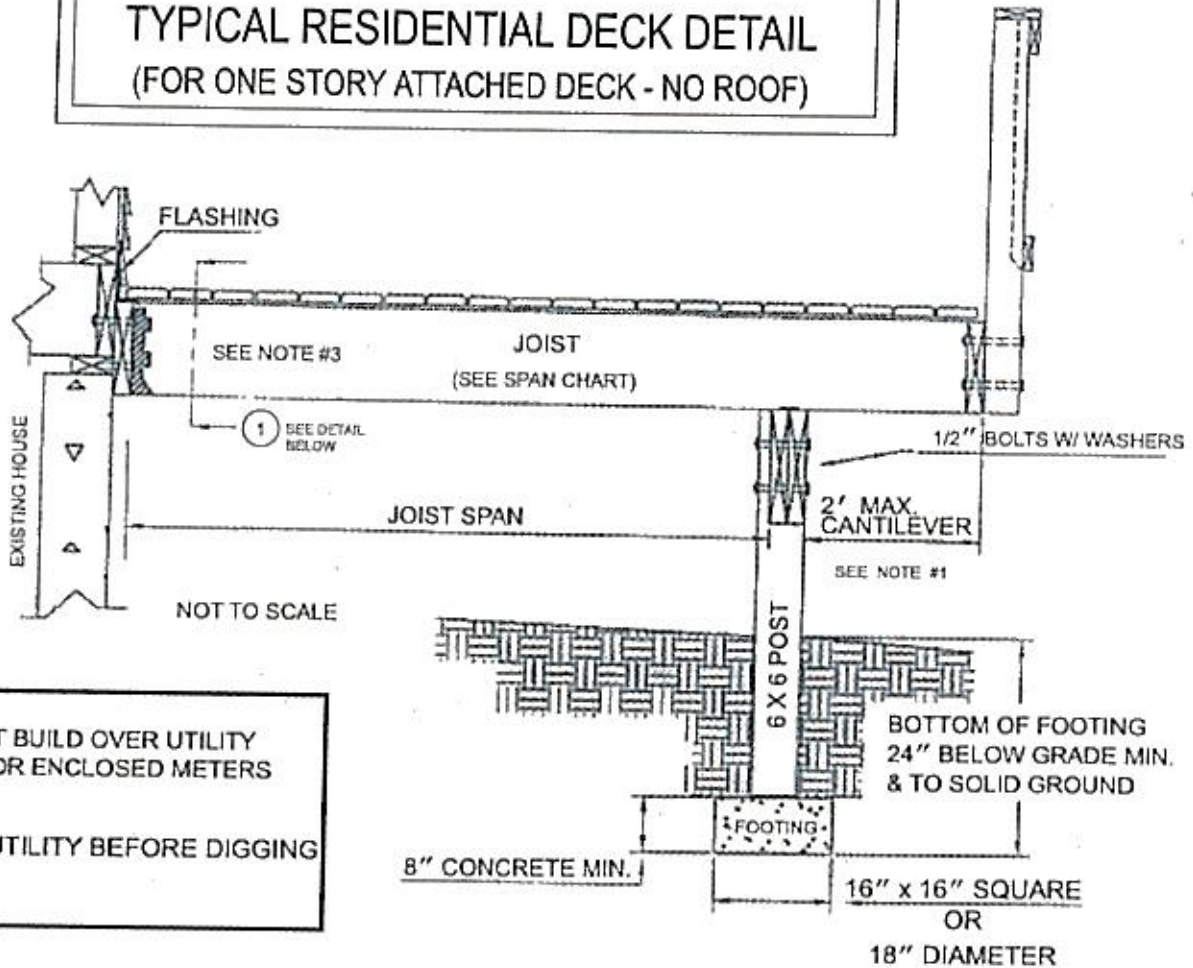
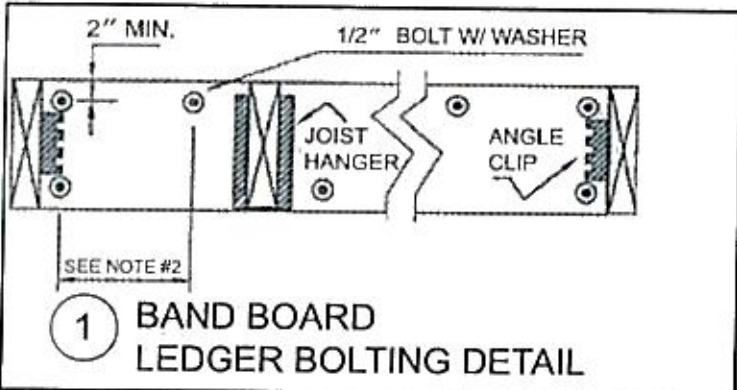


TYPICAL RESIDENTIAL DECK DETAIL (FOR ONE STORY ATTACHED DECK - NO ROOF)



DO NOT BUILD OVER UTILITY
LINES OR ENCLOSED METERS

CALL MISS UTILITY BEFORE DIGGING



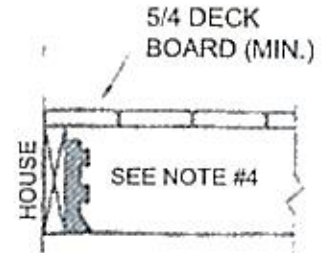
NOTES:

1. CANTILEVER NOT TO EXCEED 1/4 OF JOIST SPAN WITH 2' MAX. CANTILEVER.
2. 1/2" DIA. CARRIAGE OR LAG BOLTS 16" O.C.
3. LEDGER ATTACHMENT TO HOUSE MUST BE FIELD INSPECTED FOR SOLID ATTACHMENT.
4. THESE TYPICAL DETAILS SHALL NOT BE USED FOR DECKS SUPPORTING HOT TUBS, ROOFS, GAZEBOS OR DECKS DETACHED FROM HOUSE.
5. ALL FASTENERS & NAILS SHALL BE CORROSION RESISTANT.

JOIST SPAN TABLE			
TREATED S.Y.P. #2			
JOIST	12" O.C.	16" O.C.	24" O.C.
2x6	10' - 3"	9' - 4"	8' - 2"
2x8	13' - 6"	12' - 3"	10' - 9"
2x10	17' - 3"	15' - 8"	13' - 8"
2x12	21' - 0"	19' - 1"	16' - 8"

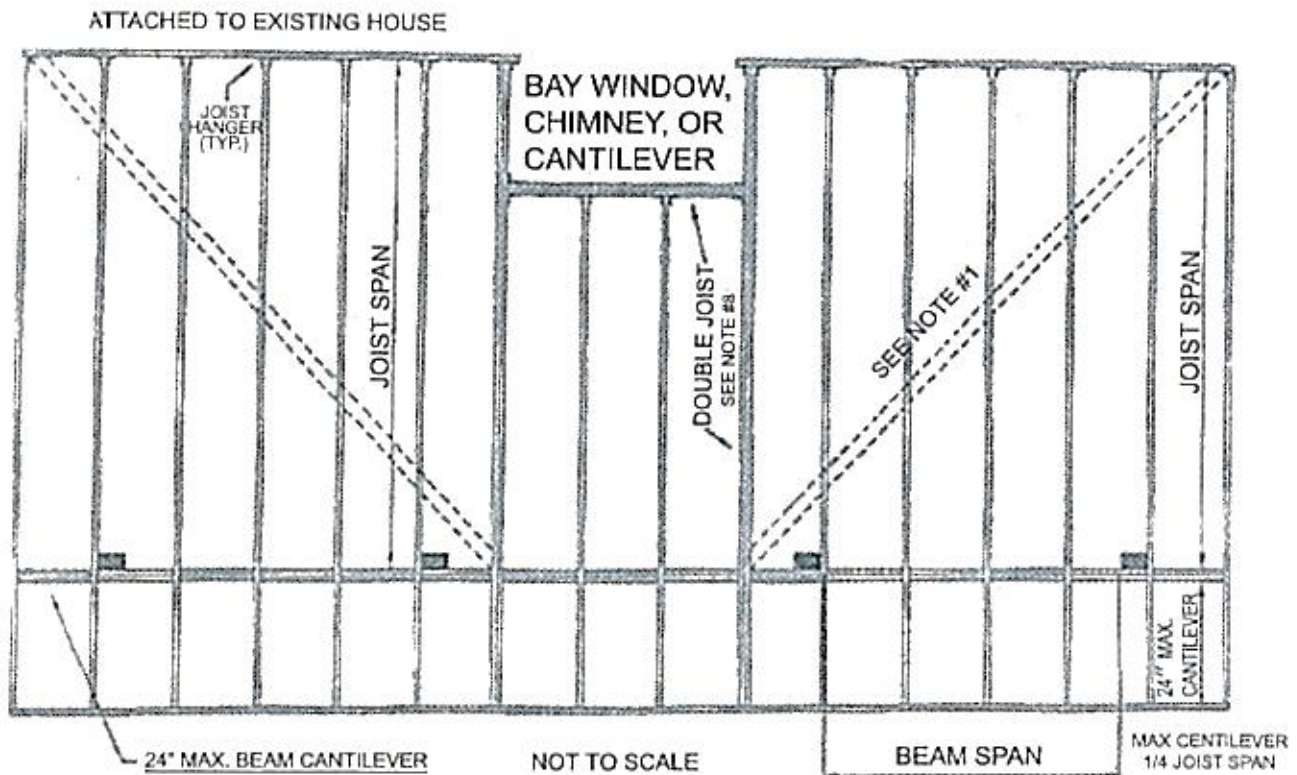
NOTES:

1. DIAGONAL BRACING REQUIRED UNDER JOISTS, MAY OMIT IF DECK BOARDS ARE INSTALLED DIAGONALLY
2. BAND BOARD ATTACHMENT TO CANTILEVERED FLOORS, BAY WINDOWS, CHIMNEYS OR BRICK VENEER NOT ALLOWED.
3. MAXIMUM BEAM CANTILEVER IS 24"
4. ONLY APPROVED TECO NAIL CAN BE USED WITH JOIST HANGERS. NO SCREWS ALLOWED.
5. ALL BEAM SPLICES MUST BE OVER POSTS.
6. BEAMS MUST BE ATTACHED TO NOTCHED POSTS W/ (2)1/2" DIA. BOLTS PER POST.
7. DECKS WHICH ARE LESS THAN 42" FROM GROUND LEVEL WILL REQUIRE A FRAMING INSPECTION PRIOR TO INSTALLING DECK FLOOR BOARDS.
8. DOUBLE JOIST BEAMS WHEN UP TO 3 JOISTS ARE CUT. TRIPLE JOIST BEAMS WHEN UP TO 5 JOISTS ARE CUT.



**JOIST HANGER
DETAIL**

**TO BE USED ONLY WITH
DECKS ATTACHED TO
EXISTING HOUSE.**



DECK BEAM SPAN TABLE

TREATED S.Y.P #2

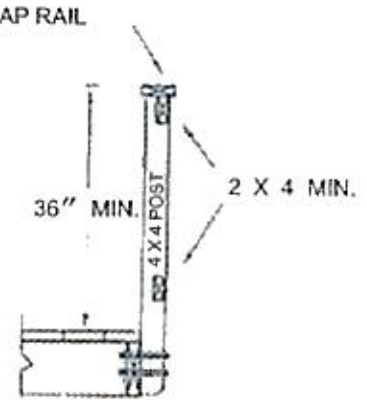
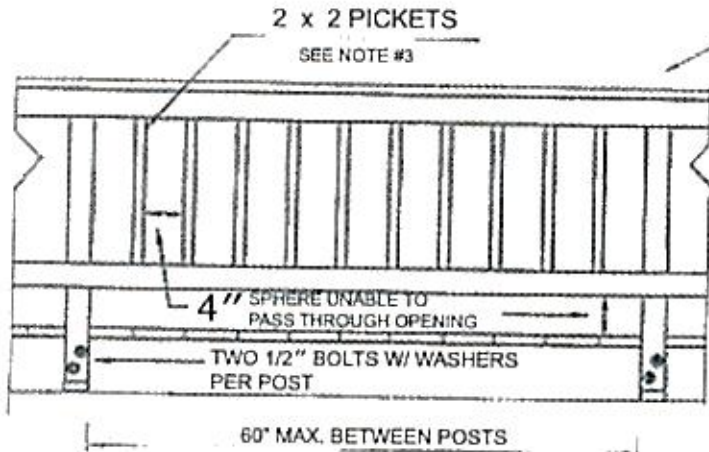
BEAM SIZE	JOIST SPAN				
	9'	12'	14'	16'	18'
2 - 2x6	6' - 0"	4' - 6"	4' - 0"	3' - 6"	3' - 0"
2 - 2x8	8' - 0"	6' - 0"	5' - 6"	4' - 6"	4' - 0"
2 - 2x10	10' - 0"	7' - 6"	7' - 0"	5' - 6"	5' - 0"
2 - 2x12	12' - 0"	9' - 6"	8' - 6"	7' - 0"	6' - 6"

USING THE "DECK BEAM SPAN TABLE"

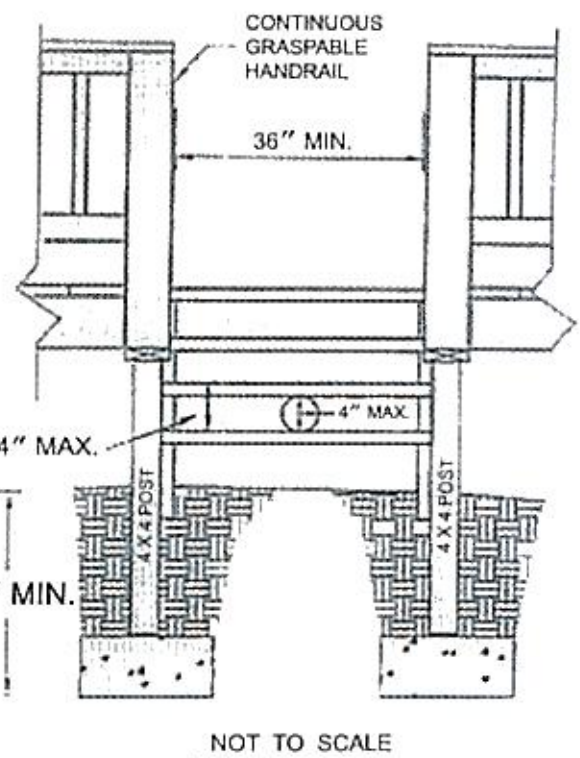
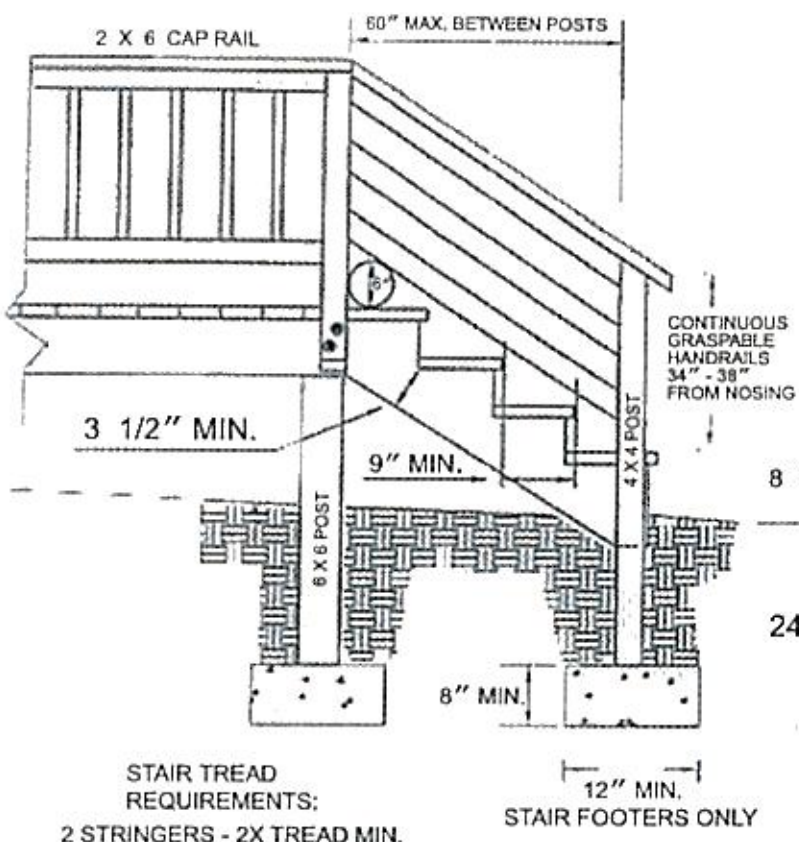
FIRST DETERMINE YOUR JOIST SPAN AS SHOWN ABOVE

NEXT SELECT THE BEAM SIZE

FOLLOW THE BEAM SIZE AND JOIST SPAN UNTIL THEY INTERSECT. THIS IS THE MAXIMUM SPACING YOU CAN HAVE BETWEEN POSTS.



TOP RAIL SHALL WITHSTAND 200 lbs CONCENTRATED LOAD



STAIR TREAD REQUIREMENTS:
2 STRINGERS - 2X TREAD MIN.
3 STRINGERS - 5/4 TREAD MIN.

NOTES:

1. GUARDRAILS ARE REQUIRED FOR DECKS & PORCHES MORE THAN 30" ABOVE GROUND FLOOR. GUARDRAILS MUST BE EXTENDED 36" ABOVE FLOOR LEVEL.
2. THE GREATEST RISER HEIGHT AND TREAD WIDTH SHALL NOT EXCEED THE SMALLEST BY MORE THAN 3/8".
3. SECURE PICKETS AT TOP & BOTTOM W/ 1-#8 CORROSION RESISTANT SCREWS OR 2-8d GALV. NAILS OR 2- 2 1/2" GALV. STAPLES.
4. STAIRS WITH 4 OR MORE RISERS REQUIRE FROST FOOTINGS & GRASPABLE HANDLES.
5. GRASPABLE HANDRAILS TO BE CONTINUOUS THE FULL LENGTH OF THE STAIRS ENDS TO BE RETURNED TO POST.